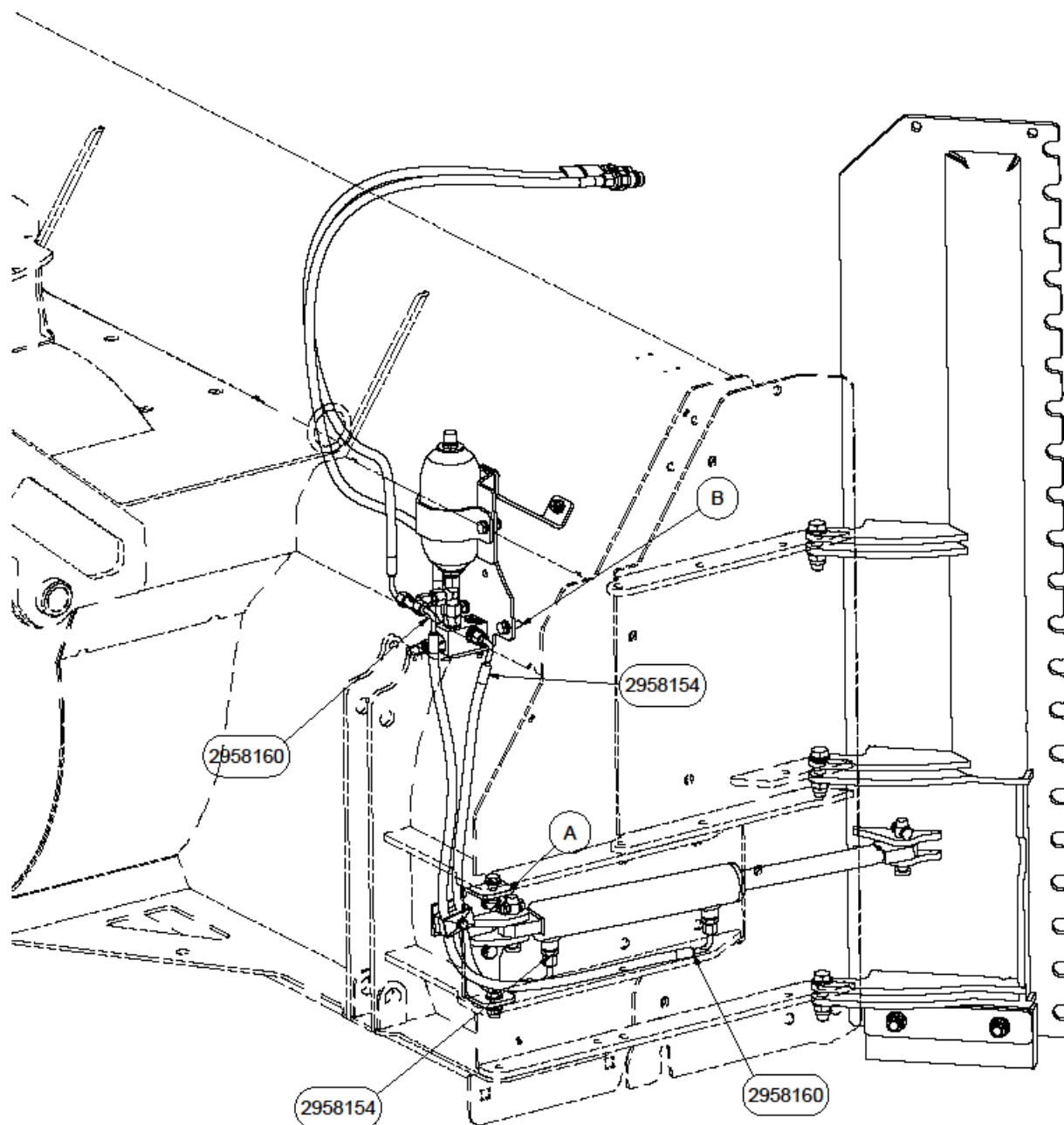


Assembly instructions of hydraulic side extension 25323017



A: The bracket for the cylinder must be installed as in the illustration.
B: 2 pcs. holes threaded M10.